

# Undermount Full Extension Drawer Slide (with Adjustable Locking Device And Damper) (Max Drawer Side Thickness 19mm)

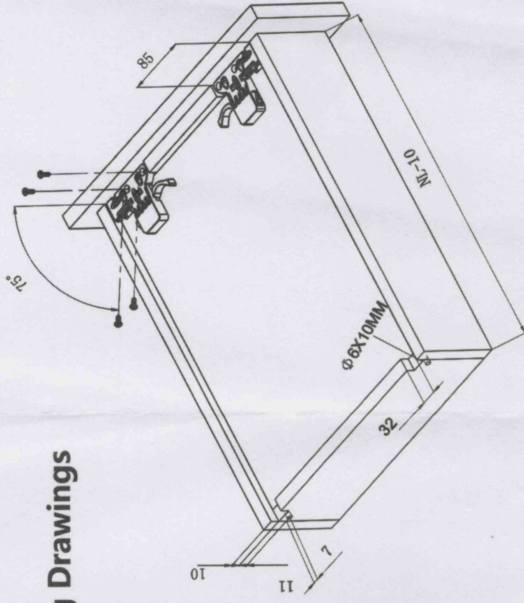
## Feature Of The Product

- Basic Length: 250/300/350/400/450/500/550
- New-design Damper Assured Smooth & soft-closing
- Loading Capacity: 30kg
- Quick Installation And Dismantle, tool less

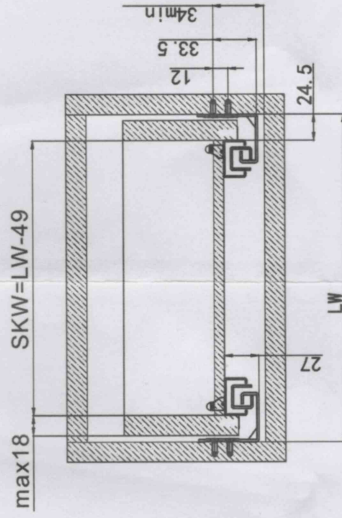
## Holes Pattern



## Fixing Drawings

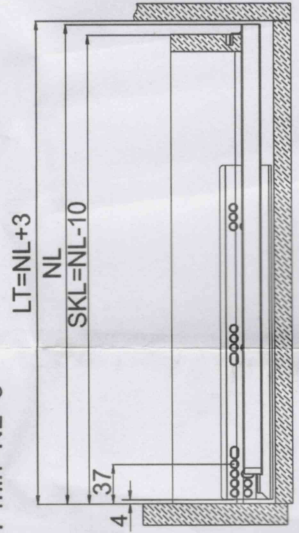


## Slide Installation Drawings



## Standard Drawer

LT min=NL+3



## Internal Drawer

LT min=NL+X+3



LW : Inside Cabinet Width

SKW : Drawer Width

SKL : Drawer Length

NL : Nominal Length

X : Thickness Of The Front Panel

LT : Min Cabinet Depth